

# SIPHON ELBOW



FICOBA (Recinto Ferial Gipuzkoa)  
 AVDA. IPARRALDE, 43 - ROOM 3  
 20302 IRUN-GIPUZKOA (SPAIN)

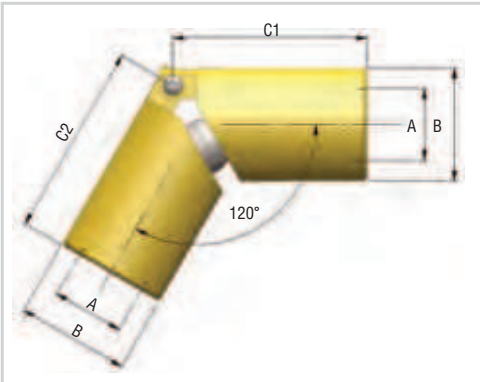
☎ 00 34 646 211965  
 ✉ RCC@RCCINDUSTRIAL.COM  
 📍 RCCINDUSTRIAL

[WWW.RCCINDUSTRIAL.COM](http://WWW.RCCINDUSTRIAL.COM)



**1/4" (DN06) - 1" (DN25)**

- Brass or stainless steel material alternatives
- Easily installed
- Leak tight sealing
- For slow-moving applications where condensate is in puddle stage



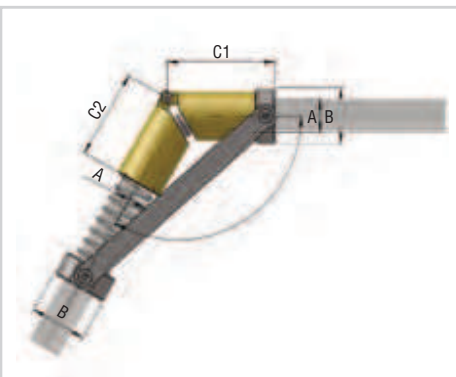
| A         | STOCK CODE   | B  | C1   | C2   |
|-----------|--------------|----|------|------|
| 1/4" NPT  | 0032-120-100 | 22 | 44.5 | 44.5 |
| 1/4" BSPP | 0032-120-300 |    |      |      |
| 3/8" NPT  | 0033-120-100 | 24 | 44.5 | 44.5 |
| 3/8" BSPP | 0033-120-300 |    |      |      |
| 1/2" NPT  | 0034-120-100 | 33 | 56.5 | 56.5 |
| 1/2" BSPP | 0034-120-300 |    |      |      |
| 3/4" NPT  | 0035-120-100 | 39 | 60   | 60   |
| 3/4" BSPP | 0035-120-300 |    |      |      |
| 1" NPT    | 0036-120-100 | 49 | 70   | 70   |
| 1" BSPP   | 0036-120-300 |    |      |      |

# SPRING ENERGIZED SIPHON ELBOW



**1/2" (DN15) - 1" (DN25)**

- Brass or stainless steel material alternatives
- Easily installed
- Leak tight sealing
- For slow-moving applications where condensate is in puddle stage



| A         | STOCK CODE   | B  | C1   | C2   |
|-----------|--------------|----|------|------|
| 1/2" NPT  | 0034-220-100 | 36 | 68.5 | 56.5 |
| 1/2" BSPP | 0034-220-300 |    |      |      |
| 3/4" NPT  | 0035-220-100 | 42 | 72   | 65.5 |
| 3/4" BSPP | 0035-220-300 |    |      |      |
| 1" NPT    | 0036-220-100 | 55 | 85   | 70   |
| 1" BSPP   | 0036-220-300 |    |      |      |